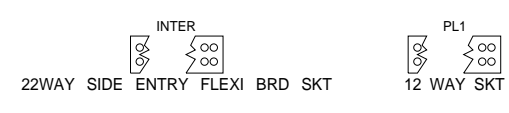
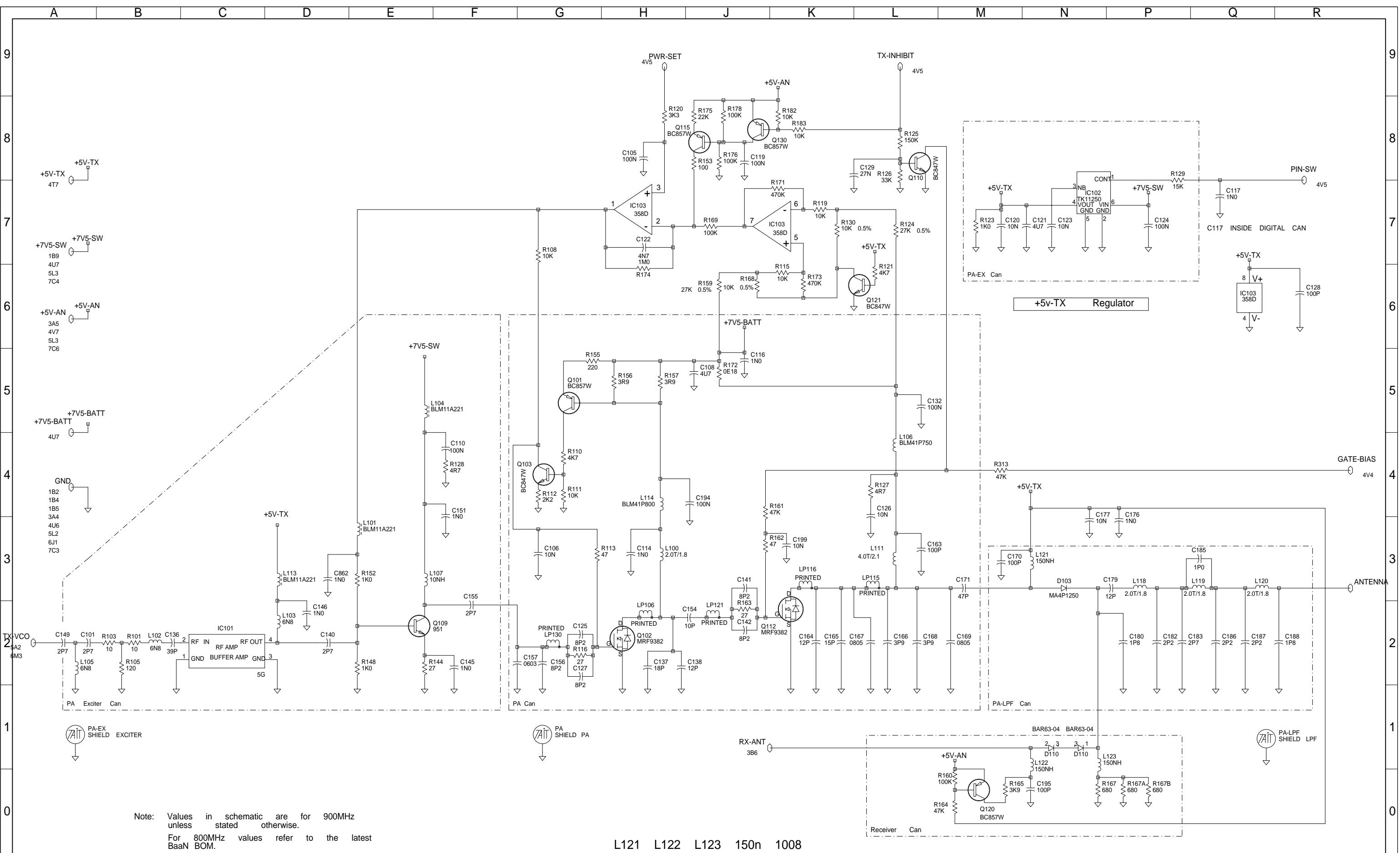


03C	REGENERATED PLA CCO. 1610-006	BRD	SP	CK	DW	29-11-99
03B	VALUE CHANGES CCO. 1610-005	BRD	SP	CK	DW	02/11/99
03A	CCN NO.1610/003	BRD				13/10-99
02D	REGENERATE PLC & PLA FILES CCN No.1610-002	TS				05-10-99
02C	4 SP.PINS NOW SMD. SEALS NONSMD CCN No.1610-001	TS				17-09-99
02B	REFRESHED SAFC957/860 & 0E18U	BRD				02/07/99
REV/ISS	AMENDMENTS	DRAWN	CHKD	D.O.	APVD	DATE

04A	CCO NO. 1610-008	BRD				08-12-00
-----	------------------	-----	--	--	--	----------



© TAIT ELECTRONICS			
ORCA TOP:800/900MHZ SYSTEM DIAGRAM			
IPN: 220-01610-04	ISSUE: A	ID: 2.SC. 1	
PROJECT: ORCA	DESIGNER: BRD	FILE NAME: 161004a	FILE DATE: 8-Dec-00
			NO.SHEETS: 7

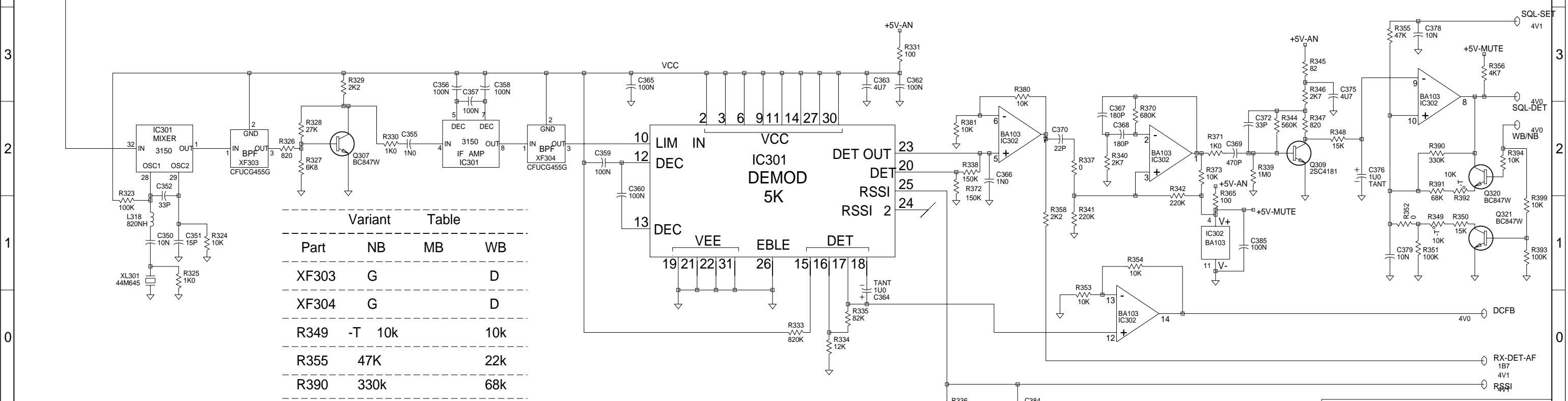
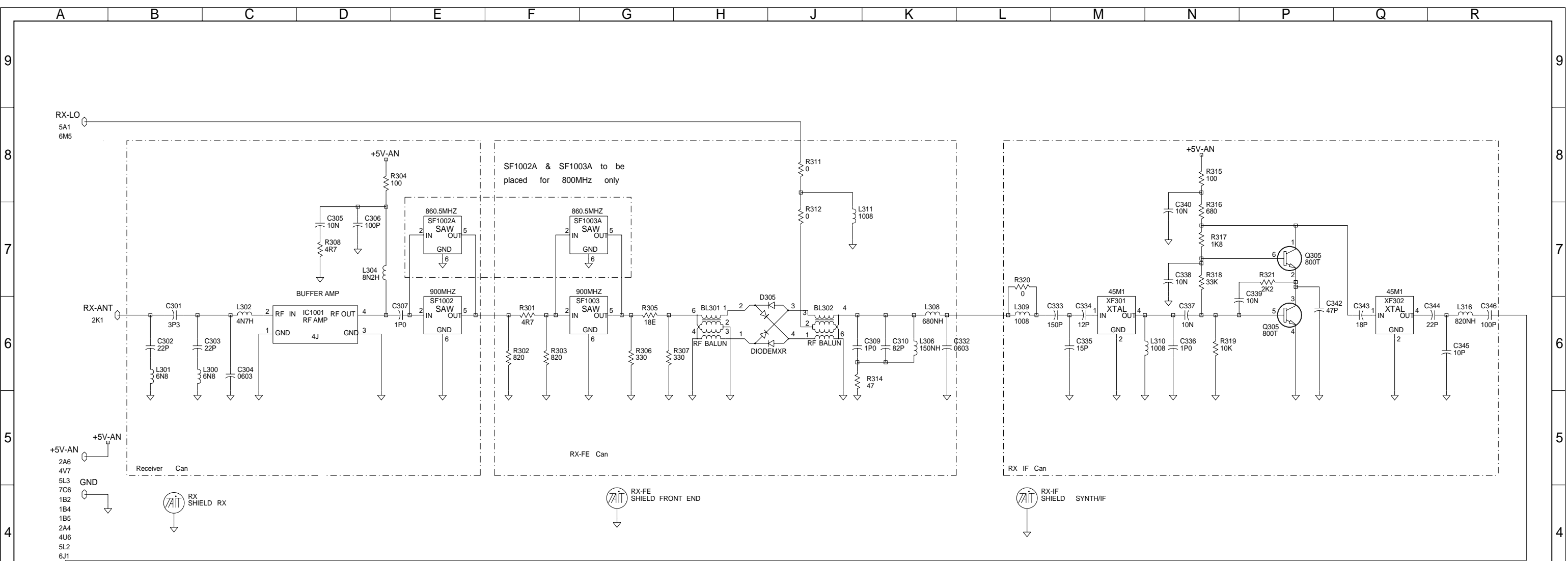


Note: Values in schematic are for 900MHz unless stated otherwise.
 For 800MHz values refer to the latest BaaN BOM.

L121 L122 L123 150n 1008

03B	VALUE CHANGES	CCO. 1610-005	BRD	SP	CK	DW	02/11/99
REV/ISS	AMENDMENTS		DRAWN	CHKD	D.O.	APVD	DATE

© TAIT ELECTRONICS
 ORCA TOP:800/900MHZ POWER AMPLIFIER
 IPN: 220-01610-04 ISSUE: A ID: 2.SC. 2
 PROJECT: ORCA DESIGNER: BRD FILE NAME: 161004a FILE DATE: 8-Dec-00 NO.SHEETS: 7

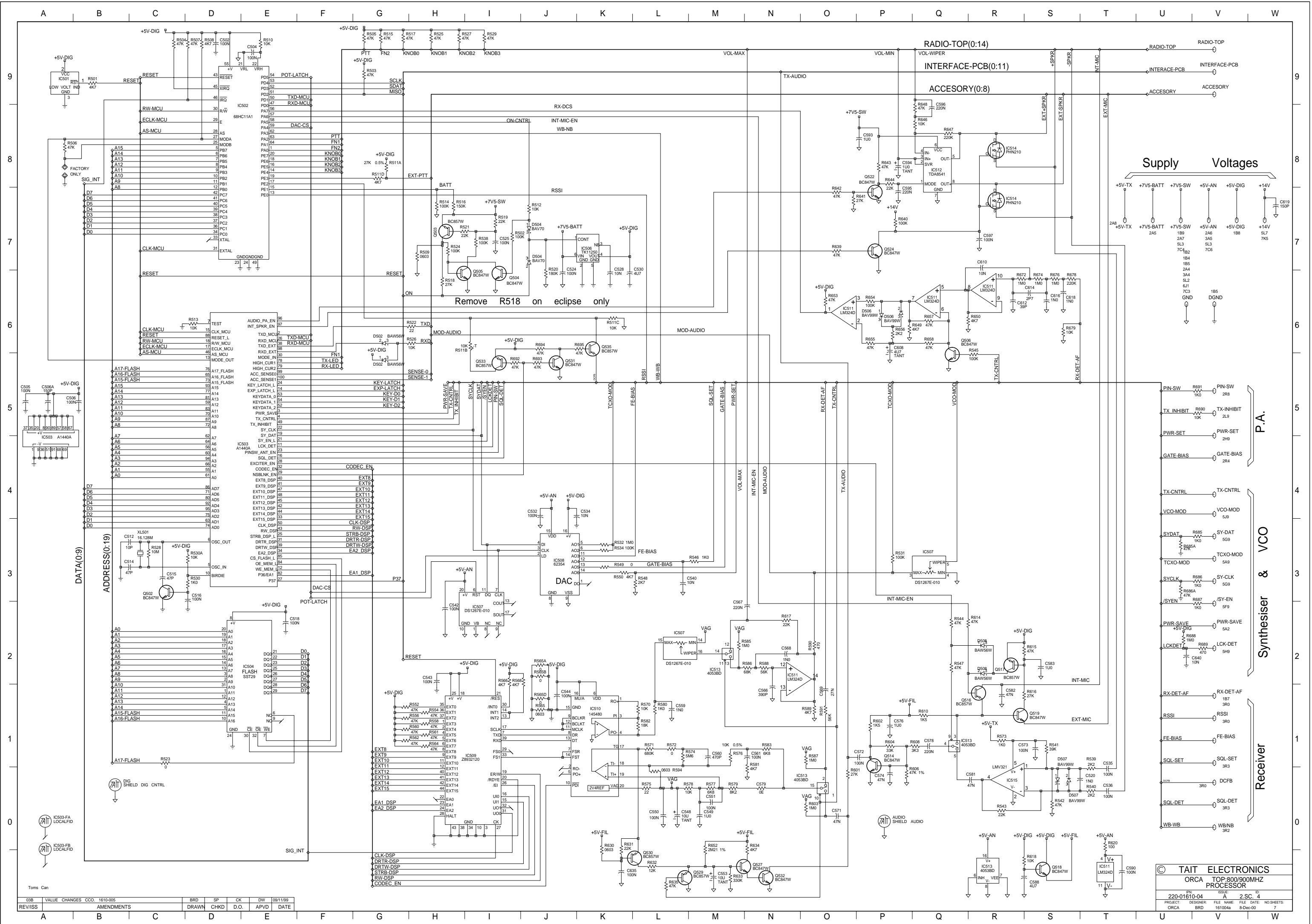


Variant Table

Part	NB	MB	WB
XF303	G		D
XF304	G		D
R349	-T	10k	10k
R355	47K		22k
R390	330k		68k
C369	470p		330P

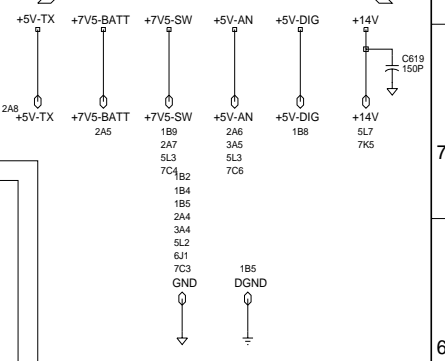
03B	VALUE CHANGES	CCO. 1610-005	BRD	SP	CK	DW	02/11/99
REV/ISS	AMENDMENTS		DRAWN	CHKD	D.O.	APVD	DATE

© TAIT ELECTRONICS
 ORCA TOP:800/900MHZ RECEIVER
 IPN: 220-01610-04 ISSUE: A ID: 2.SC. 3
 PROJECT: ORCA BRD DESIGNER: FILE NAME: 161004a FILE DATE: 8-Dec-00 NO. SHEETS: 7



Remove R518 on eclipse only

Supply Voltages



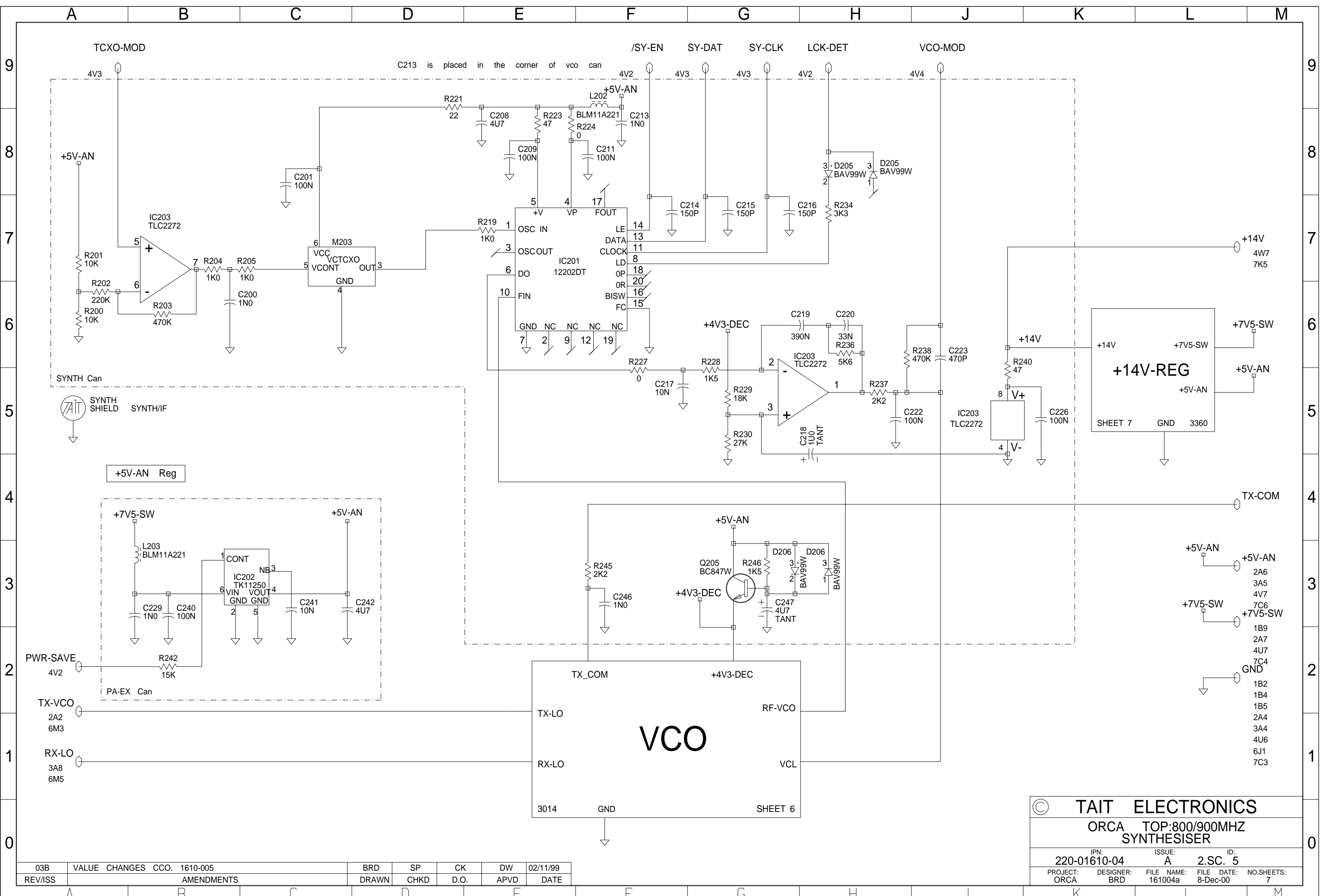
P.A.

Synthesiser & VCO

Receiver

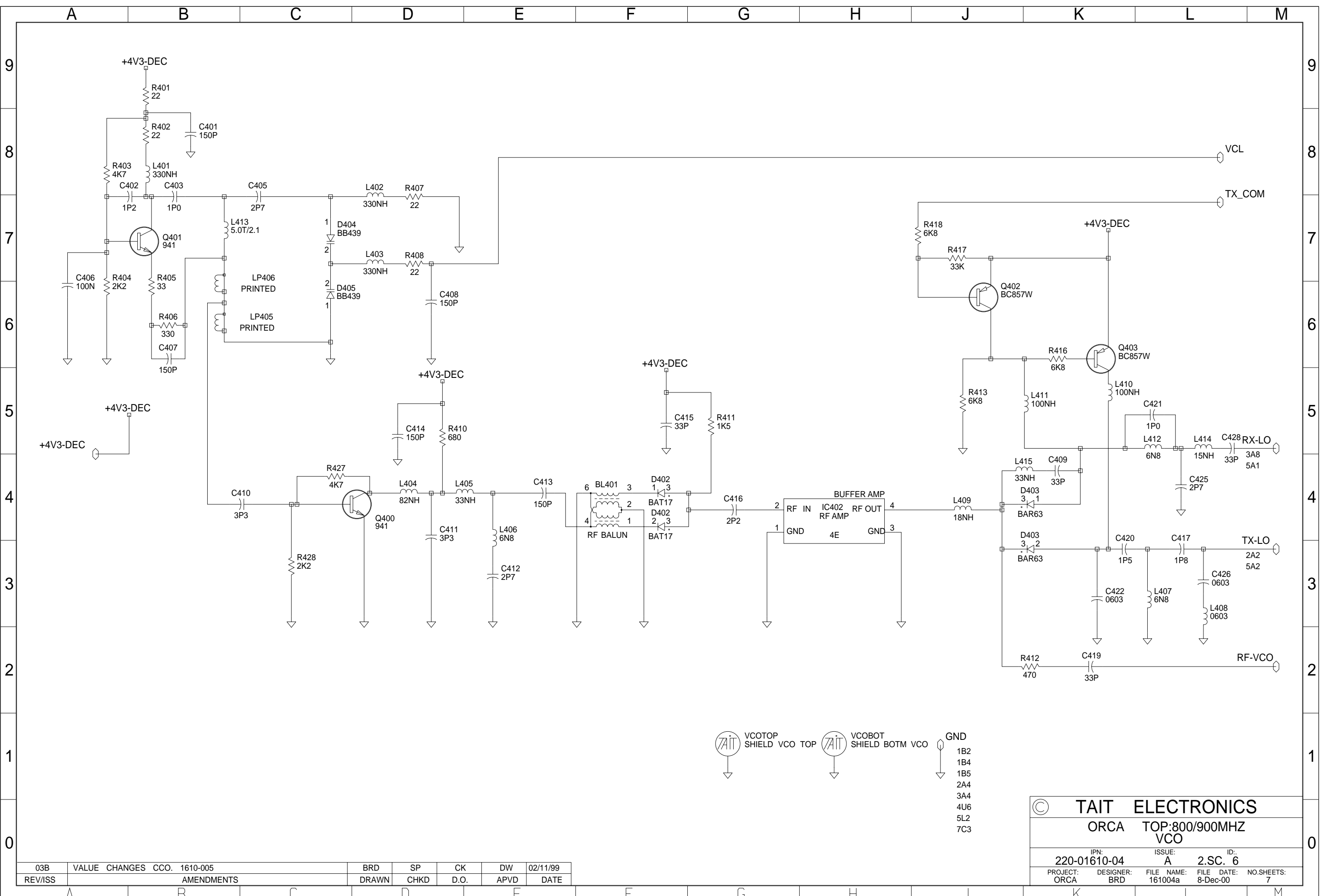
© TAIT ELECTRONICS
 ORCA TOP-800/900MHz
 PROCESSOR
 220-01610-04
 ORCA BRD 161004a 8-Dec-00

REV/ISS	VALUE	CHANGES	CCO	1610-005	BRD	SP	CK	DW	09/11/99
AMENDMENTS					DRAWN	CHKD	D.O.	APVD	DATE



03B	VALUE CHANGES CCO. 1610-005	BRD	SP	CK	DW	02/11/99
REV/ISS	AMENDMENTS	DRAWN	CHKD	D.O.	APVD	DATE

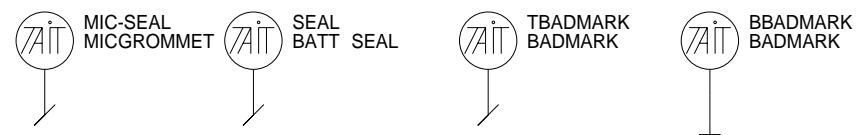
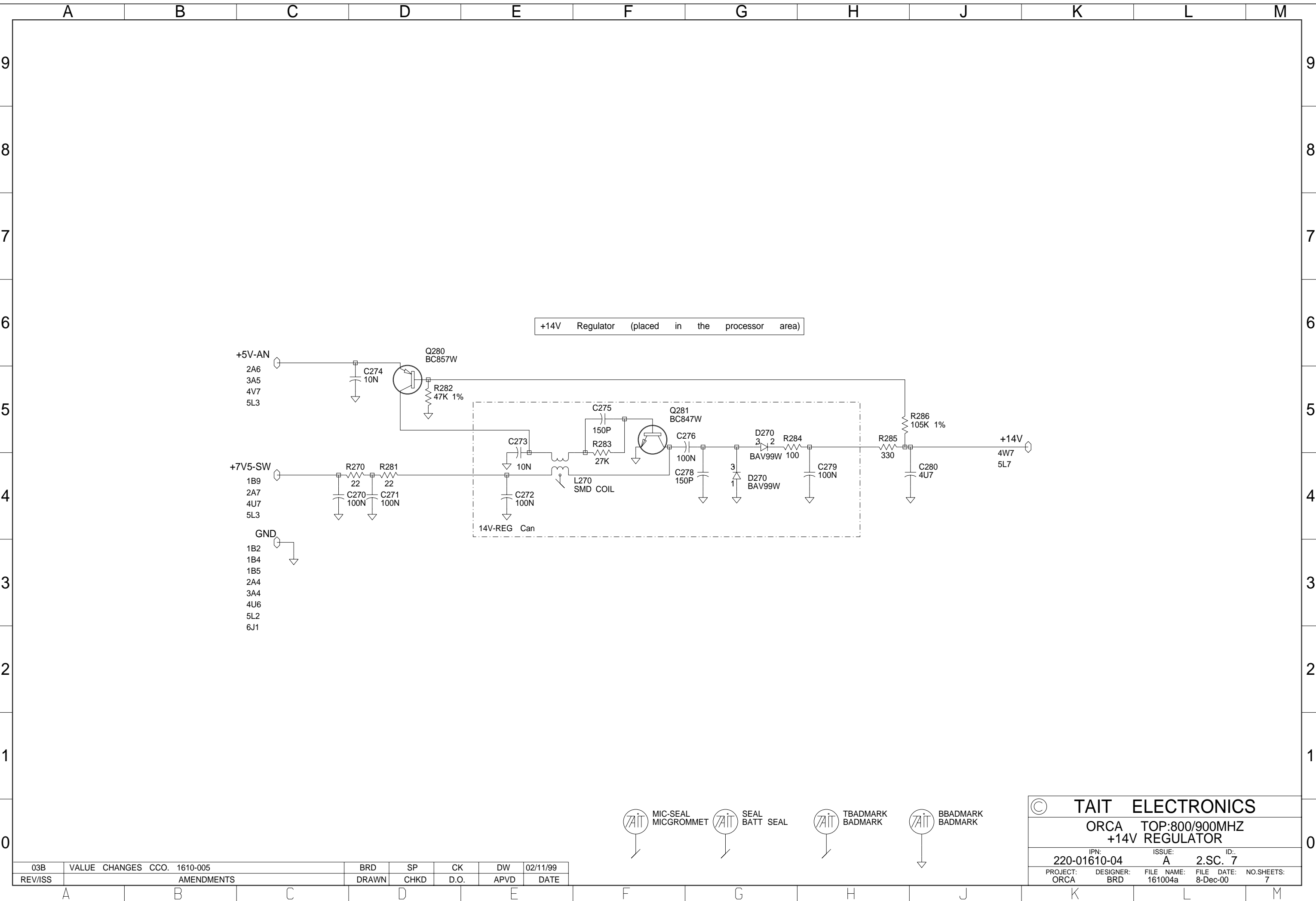
© TAIT ELECTRONICS
 ORCA TOP:800/900MHZ SYNTHESIZER
 IPN: 220-01610-04 ISSUE: A ID: 2.SC. 5
 PROJECT: ORCA DESIGNER: BRD FILE NAME: 161004a FILE DATE: 8-Dec-00 NO.SHEETS: 7



03B	VALUE CHANGES CCO. 1610-005	BRD	SP	CK	DW	02/11/99
REV/ISS	AMENDMENTS	DRAWN	CHKD	D.O.	APVD	DATE

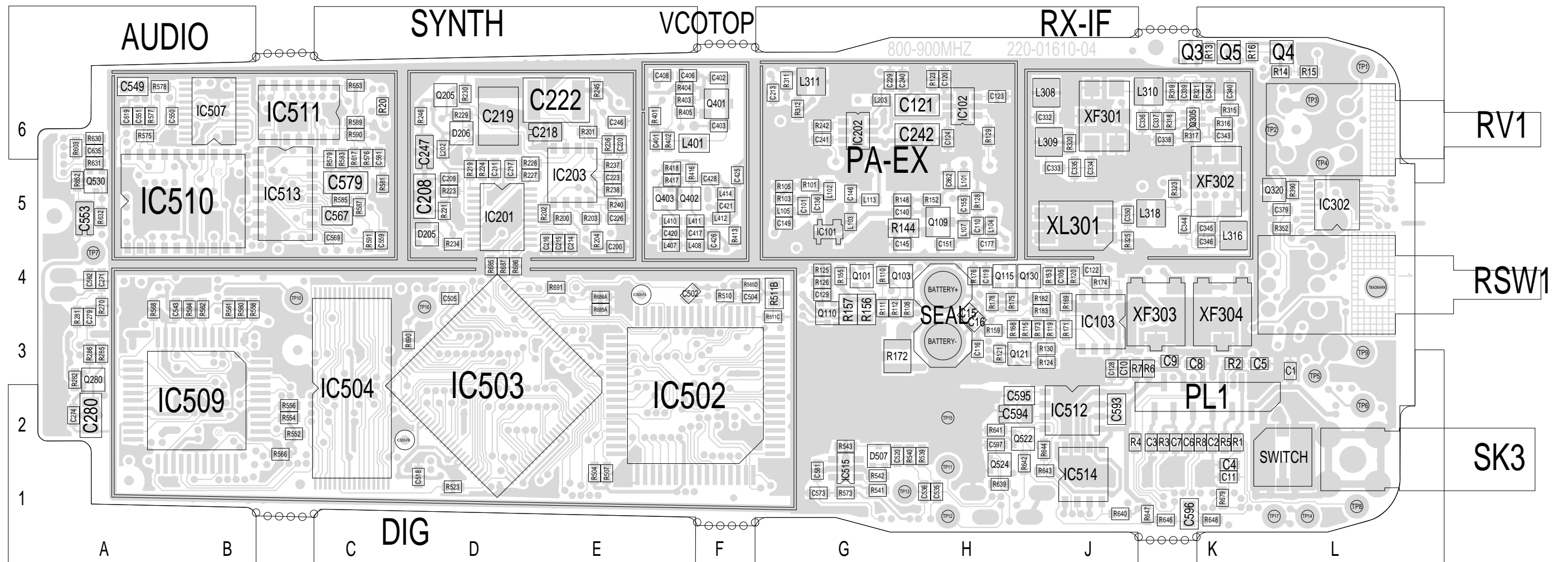
© TAIT ELECTRONICS
 ORCA TOP:800/900MHZ VCO
 IPN: 220-01610-04 ISSUE: A ID: 2.SC. 6
 PROJECT: ORCA DESIGNER: BRD FILE NAME: 161004a FILE DATE: 8-Dec-00 NO.SHEETS: 7





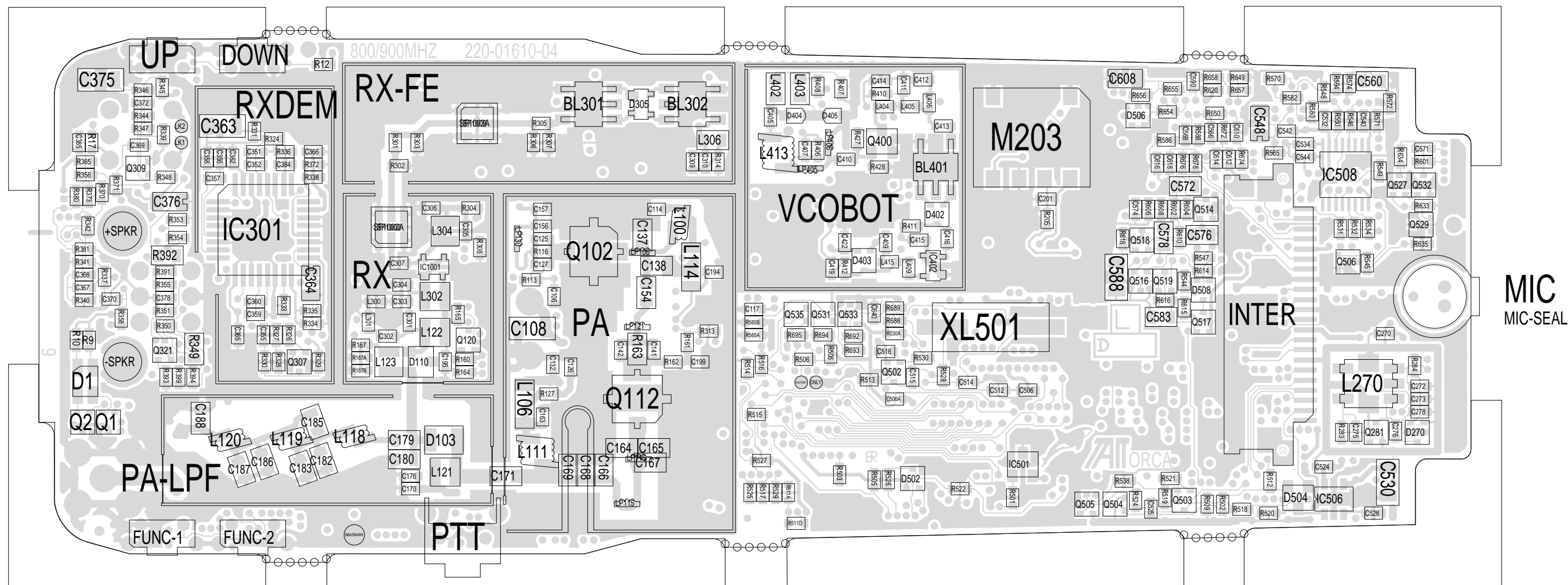
© TAIT ELECTRONICS	
ORCA TOP:800/900MHZ +14V REGULATOR	
IPN: 220-01610-04	ID: 2.SC. 7
PROJECT: ORCA	DESIGNER: BRD
FILE NAME: 161004a	FILE DATE: 8-Dec-00
NO.SHEETS: 7	

03B	VALUE CHANGES CCO. 1610-005	BRD	SP	CK	DW	02/11/99
REV/ISS	AMENDMENTS	DRAWN	CHKD	D.O.	APVD	DATE



TAIT ELECTRONICS IPN: 220-01610-04 ISS: A ID: 1.TA DATE: 14 Dec 2000
 800-900MHZ PCB LAYOUT - TOP SIDE

Scale: 2.3:1 ; Rotation: 0 degrees



TAIT ELECTRONICS	IPN: 220-01610-04	ISS: A	ID: 6.BA	DATE: 14 Dec 2000
800-900MHZ PCB LAYOUT - BOTTOM SIDE				